



# PY-G128

GPS Navigator with WAAS/EGNOS/MSAS capability.



## Features

- Storage for 500 waypoints and 20 routes and 1024 track points
- Alarms: Anchor warning radius/Arrival/Routes deviation.
- Man overboard feature records position at the time of man overboard and provides continuous updates of range and bearing when navigating to the MOB position.
- Autopilot (optional) may be connected, and steering data output to the autopilot.
- Unique Highway display provides a graphic presentation of ship's progress toward a waypoint.
- Waypoint and route data can be uploaded from a PC and downloaded to a PC.

The screenshots show the following information:

- Auto Locate:** EPE 32, FT scale, heading 356°, speed 0.0 kt, position N 23°22.254', W 115°20.563', time 04:10:57pm.
- Position/Distance:** 0.0°, 0.0 ft.
- Heading/Speed:** 356°, 0.0 kt.
- Position:** N 23°22.254', W 115°20.563'.
- Time:** 04:10:57pm.
- Waypoint/Distance:** 001, 348.5, BRG 192°, DST 1085 n, TRK 70°, SPD 36.0 kt.
- Menu:** NEAREST WPTS, PROXIMITY WPTS, WAYPOINT LIST, WAYPOINT, ROUTES, SYSTEM NAVIGATION, ALARMS, FILTER, INTERFACE.

Scope of Supply					
Descriptions	Part No	Quantity	Descriptions	Part No	Quantity
Display unit	PY-G128	1	Power/data cable	8 pin	1
GPS Antenna (10m)	PY-GA07	1	Fuses	F2AL250v	2
Mounting Brackets	NIL	1	Mounting Screws	1.5*0.5cm	4
Quick Manual	NIL	1			

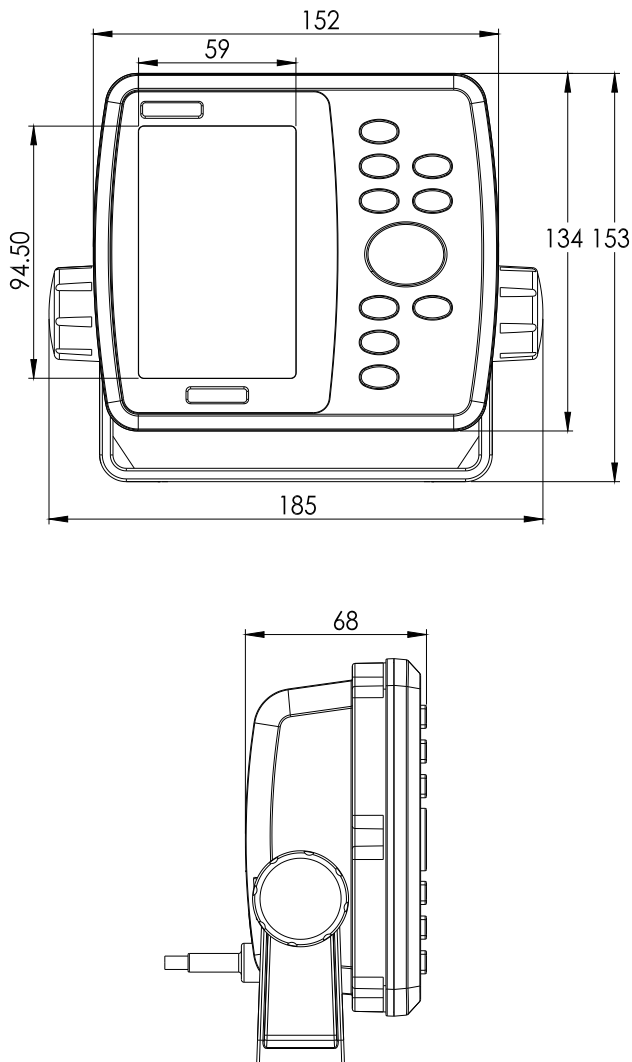
### GPS Specifications

1. WAY POINTS/ICON	500 waypoints
2. ROUTES	20 routes
3. TRACKS	1024 track points
4. ALARM	Anchor warning radius /Arrival / Route Deviation

### Display Size

1. SIZE	134mm(H) X 152mm(W) X 68mm(D)
2. WEIGHT	454g
3. CASE	Waterproof
4. TEMPERATURE RANGE	Display Unit: -15 °C To +55°C Antenna Unit: -5 °C To +70°C

### Dimension (mm)



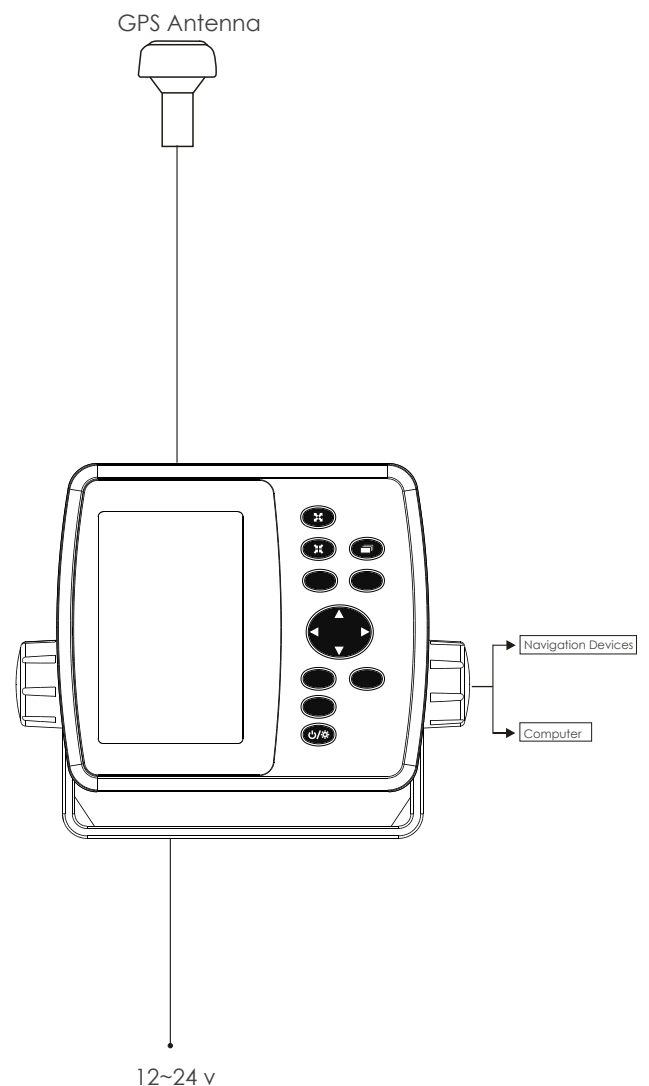
### Power Supply

Input: 12-24v DC, Usage: 2 watts

### GPS Receiver Specification

1. RECEIVER	50 Parallel-Channel
2. ACQUISITION TIME	Approx. 40 second (warm) Approx. 60 second (cold) Approx. 2 minutes (Auto Locate)
3. UPDATE RATE	1/second, continuous
4. VELOCITY	0.1 knot R
5. ACCURACY	MS Steady State
6. DYNAMICS	Performs specification to 6g
7. WATERPROOFING	Display Unit IPX6
8. POWER	Input: 12-24@ v DC Usage: 2 watts

### System Configuration



Distributor:

**PIO-SHIP**

**Singapore Head Office**

PIO-SHIP DESIGN & SYSTEM INTEGRATE PTE LTD

Address:  
5 Soon Lee Street #03-34 Pioneer Point Singapore 627607  
Tel: +65 68982885  
Email: sales@pio-ship.com

**Philippines Office**

PIO-SHIP SYSTEM INC.

Address:  
Unit 503 Adriatico Executive Centre 1920 M. Adriatico St.,  
Malate, 1004 Manila, Philippines  
Tel: +63 02 8742 4560  
Email: sales\_ph@pio-ship.com