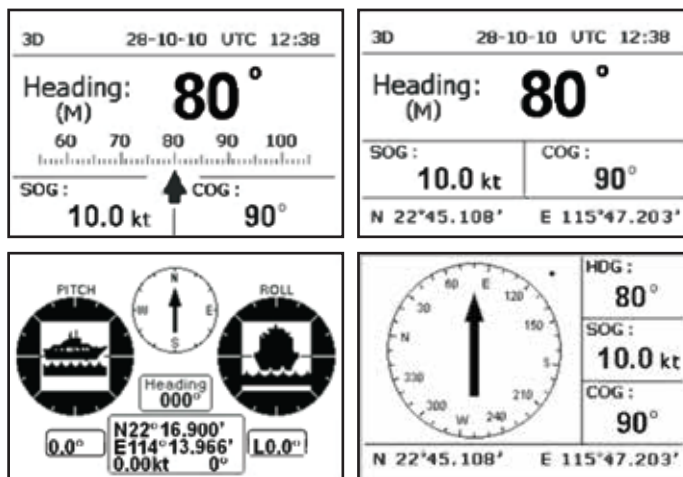


PY-EC30

LCD Electronic Compass with GPS



PY-GA09

Features

- Affordable electronic compass solution
- Provides GPS information, Lon/Lat, SOG and COG
- Using high precision sensor PY-GA09
- Able to correct Magnetic Deviation manually or automatically
- Selectable output baud rate and intervals for heading information (HDT, HDM or HDG)
- Output of GPS and heading data can interface with other equipment on board
- Rugged and waterproof heading sensor suitable for outdoor marine condition

Power Supply

1. ELECTRICAL	10.5 - 40VDC
2. PROTECTION	Over-current, over-voltage, power transient & accidental reverse polarity protection

Output/Input (IEC61162-I)

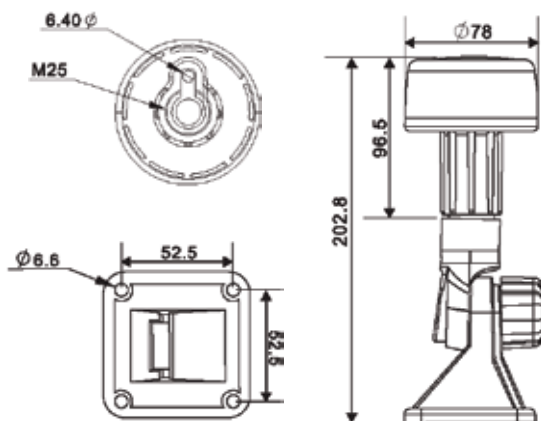
1. INPUT	2 x NMEA0183
	a. Input sentences: GGA, GLL, GMS, GNS, GSA, GSV, RMC, VTG, HDT, PASHR
	b. Baudrate: auto scan up to 38400
	c. Support heading/GPS sensor: PY-GA09 or other heading sensor with NMEA0183 output
2. OUTPUT	2 x NMEA0183
Port 1 and Port 2 (RS232) :	a. Output sentences: HDT, HDM & HDG (selectable) and RMC, GSA, GGA, VTG, ZDA (fixed)
	b. Heading output interval selections: 25ms, 100ms, 200ms (default) & 1,000ms
	c. Output baudrate selections: 4800 (default), 9600, 19200 & 38400 (selectable)

Environment Conditions

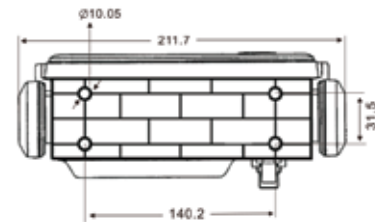
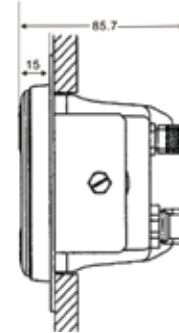
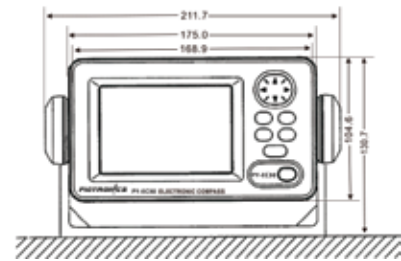
1. AMBIENT TEMPERATURE	Display unit : -15°C to +55°C Heading/GPS sensor unit : -25°C to +70°C (for PY-GA09)
2. HUMIDITY	93% ±3% on 40°C
3. WATERPROOFING	Display unit: IPX5 Heading/GPS sensor unit: IPX7 (for PY-GA09)

Product Dimension & Installation Drawing

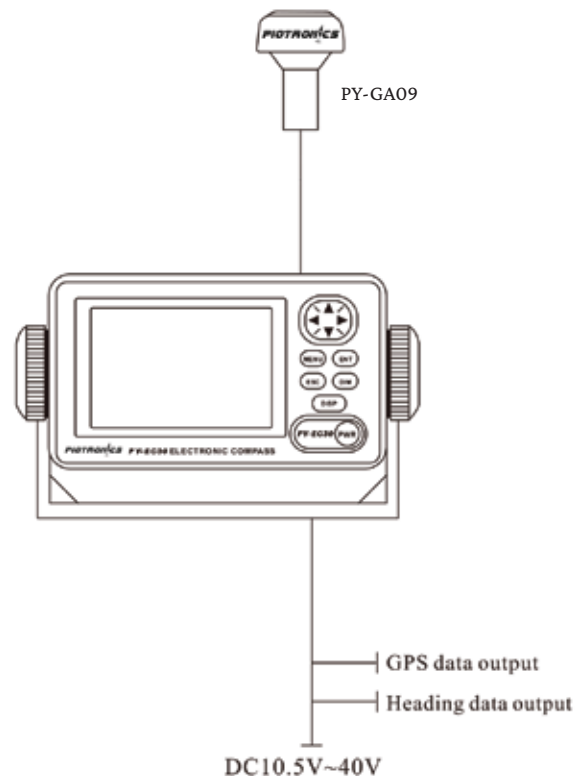
Bearing/GPS Sensor Unit Size



Display Unit Size



System Configuration



Distributor:

PIO-SHIP

Singapore Head Office

PIO-SHIP DESIGN & SYSTEM INTEGRATE PTE LTD

Address:
5 Soon Lee Street #03-34 Pioneer Point Singapore 627607
Tel: +65 68982885
Email: sales@pio-ship.com

Philippines Office

PIO-SHIP SYSTEM INC.

Address:
Unit 503 Adriatico Executive Centre 1920 M. Adriatico St.,
Malate, 1004 Manila, Philippines
Tel: +63 02 8742 4560
Email: sales_ph@pio-ship.com