



PY-WS360

Ultrasonic Wind Sensor

Features

- 2-axis ultrasonic wind sensor
- Solid-state - maintenance-free
- 0-60m/s wind speed
- 0-359° wind direction
- UV STABILISED ABS plastic
- NMEA Output
- SDI-12 V1.3 Compatible
- Low Power <2mA - standby
- Variable display compatible connection



Power Input

1. VOLTAGE	DC9V to 36V
2. POWER SUPPLY	40mA/12V

Output Data (NMEA 0183 version 3)

1. INTERFACES	RS-232 or RS-422
2. RATE	4800,9600,38400 Optional
3. REFRESH RATE	1 Hz
4. DATA FORMAT	MWV

Wind Speed

1. RANGE	0 - 60m/s
2. ACCURACY	±2% (at 12m/s)
3. RESOLUTION	0.01m/s

Wind Direction

1. RANGE	0 - 359°
2. ACCURACY	±3° (at 12m/s)
3. RESOLUTION	1°

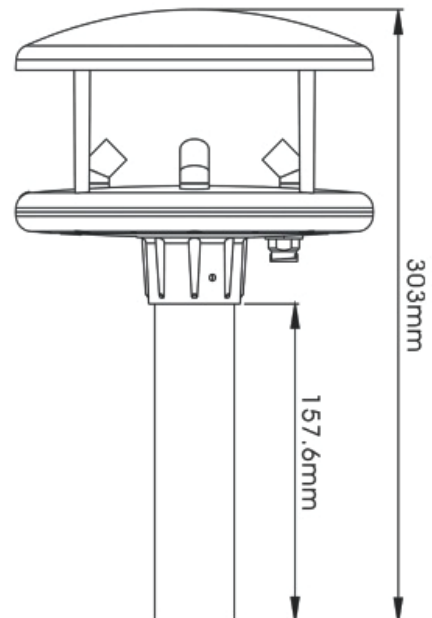
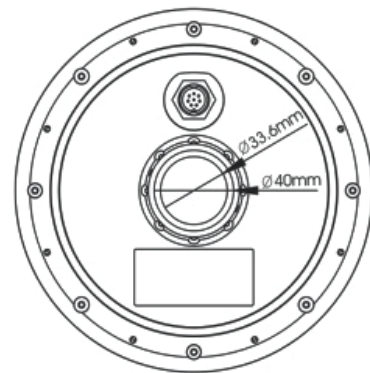
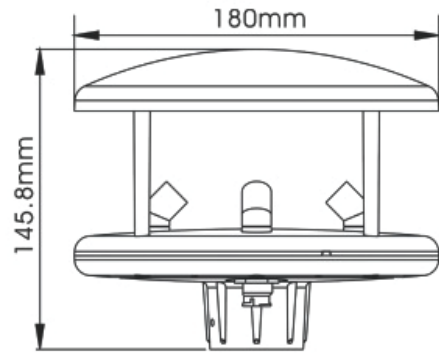
Environment

1. MOISTUREPROOF	IP65
2. OPERATING TEMPERATURE	-20°C~+60°C
3. STORAGE TEMPERATURE	-40°C~+80°C
4. HUMIDITY	Work <5% to 100%
5. ELECTROMAGNETIC COMPATIBILITY	IEC60945

Physical

1. SIZE	180x180x145.8 (LxWxH)mm
2. WEIGHT	<0.5 kg

Size



Distributor:

PIO-SHIP

Singapore Head Office

PIO-SHIP DESIGN & SYSTEM INTEGRATE PTE LTD

Address:
5 Soon Lee Street #03-34 Pioneer Point Singapore 627607
Tel: +65 68982885
Email: sales@pio-ship.com

Philippines Office

PIO-SHIP SYSTEM INC.

Address:
Unit 503 Adriatico Executive Centre 1920 M. Adriatico St.,
Malate, 1004 Manila, Philippines
Tel: +63 02 8742 4560
Email: sales_ph@pio-ship.com